



SEBO DART 4

MADE IN GERMANY

SUPERB PERFORMANCE ON CARPET AND HARD FLOOR

01 Protective Handle Bumper
keeps DART upright on walls.

02 Variable Suction Control
from 300 to 1300 Watt max.

03 Crevice Nozzle (not shown)
comes as standard with DART.

04 Filter Bag DART
sealable multi-layer filter bag.

05 Cable Hook (at the rear)
with quick release function.

06 Exhaust Filter (surface 1648 cm²)
S-Class-Filtration as standard.

07 Carrying Handle
DART can be carried around comfortably.

08 Instant use hose
immediately ready for cleaning hard to reach areas.

09 The „Flex“ neck of the DART
gives 90° vertical and 180° horizontal movement.

10 Bumper
protects the nozzle and neck.

11 Slider
can be adjusted for hard floors and carpet easily.

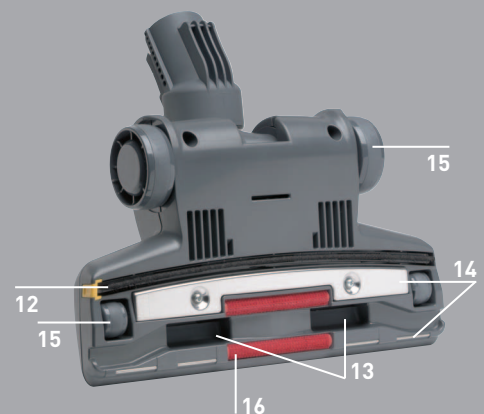
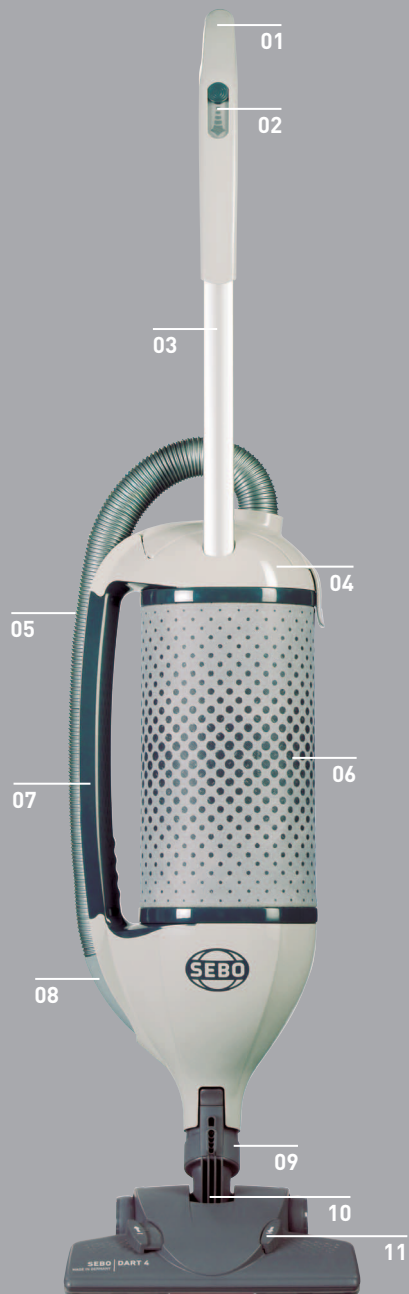
12 Natural Bristles
quick change design.

13 Twin-Channel
cleans right to the edge.

14 Steel reinforced
to meet the needs of commercial use.

15 Wheels
non-slip with superb manoeuvrability.

16 Lint Remover
picks up thread and fluff



SEBO Stein & Co. GmbH, Wülfrather Straße 47-49,
42553 Velbert, Germany, Telefax +49 (0) 20 53 / 89 85,
www.sebo.de

© 2006 SEBO Stein & Co. GmbH © Specifications may be subject
to change. All details correct at time of printing.
Art.-No. 0773E, 05/2006