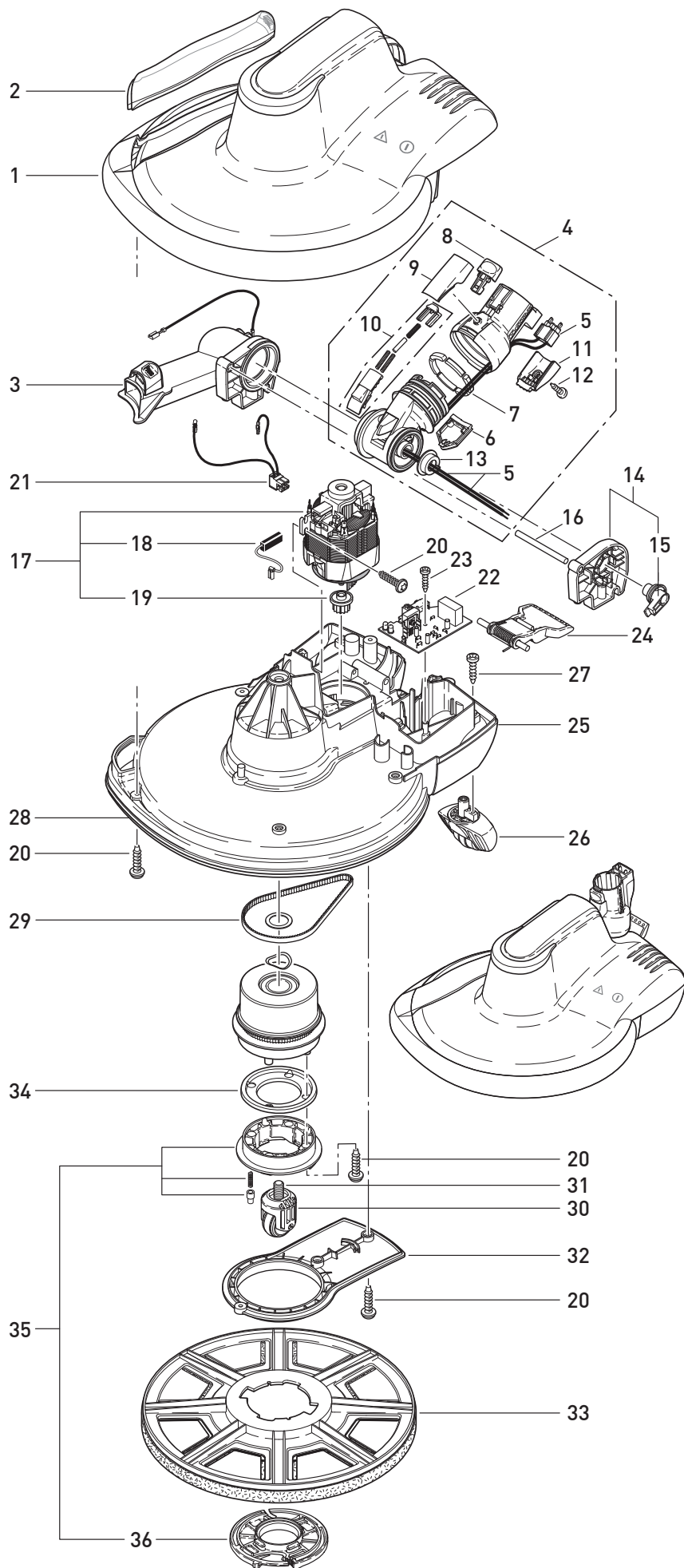


This information is intended for Europe (230V/240 V) only and does not apply to North America!



SEBO DART

ULTRA-HIGH-SPEED-SUCTION POLISHER



Pos.	Part No.	Description
1	3204hgSE	Power head cover
2	3205 tg	Suction duct access cover
3	3258 DG	Swivel neck support
4	3226 DG	Turning swivel neck
5	0876 ER	Wiring for swivel neck
6	2947 DG	Cover
7	2950 ER	Bearing segments
8	1737 DG	Release button
9	2952 dg	Button cover
10	2945 DG	Swivel neck slide
11	2951 DG	Socket cover
12	01027 ER	Screw F3,9x9,5
13	2954	Swivel neck bearing
14	3257 ER	Swivel neck support l.h.
15	3238	Switch lever
16	2938 ER	Axle
17	3251 ER	Motor 230-240 V cpl.
18	05141 S	Pair of carbon brushes
19	3222	Motor pulley
20	01016 ER	Screw 4 x16
21	3245	Internal cable
22	3241 ER	Printed circuit board
23	01029 ER	Screw 2,9 x13
24	2937 OR	Foot pedal
25	3201 dg	Chassis
26	3254 DG	Rear castor
27	0102 ER	Screw 3,9 x13
28	3268 ER	Sealing strip
29	3221	Drive belt
30	3220 ER	Centre castor
31	01033 ER	Screw 10 x 25
32	3202 dg	Belt drive cover
33	3230ER00	SEBO Floor Pad blue
33	3230ER30	SEBO Floor Pad green
33	3286ER40	SEBO Floor Pads yellow and red
34	3219	Seal
35	3281 ER	Pad retainer cpl. with Quick-release disc
36	3280	Quick-release disc