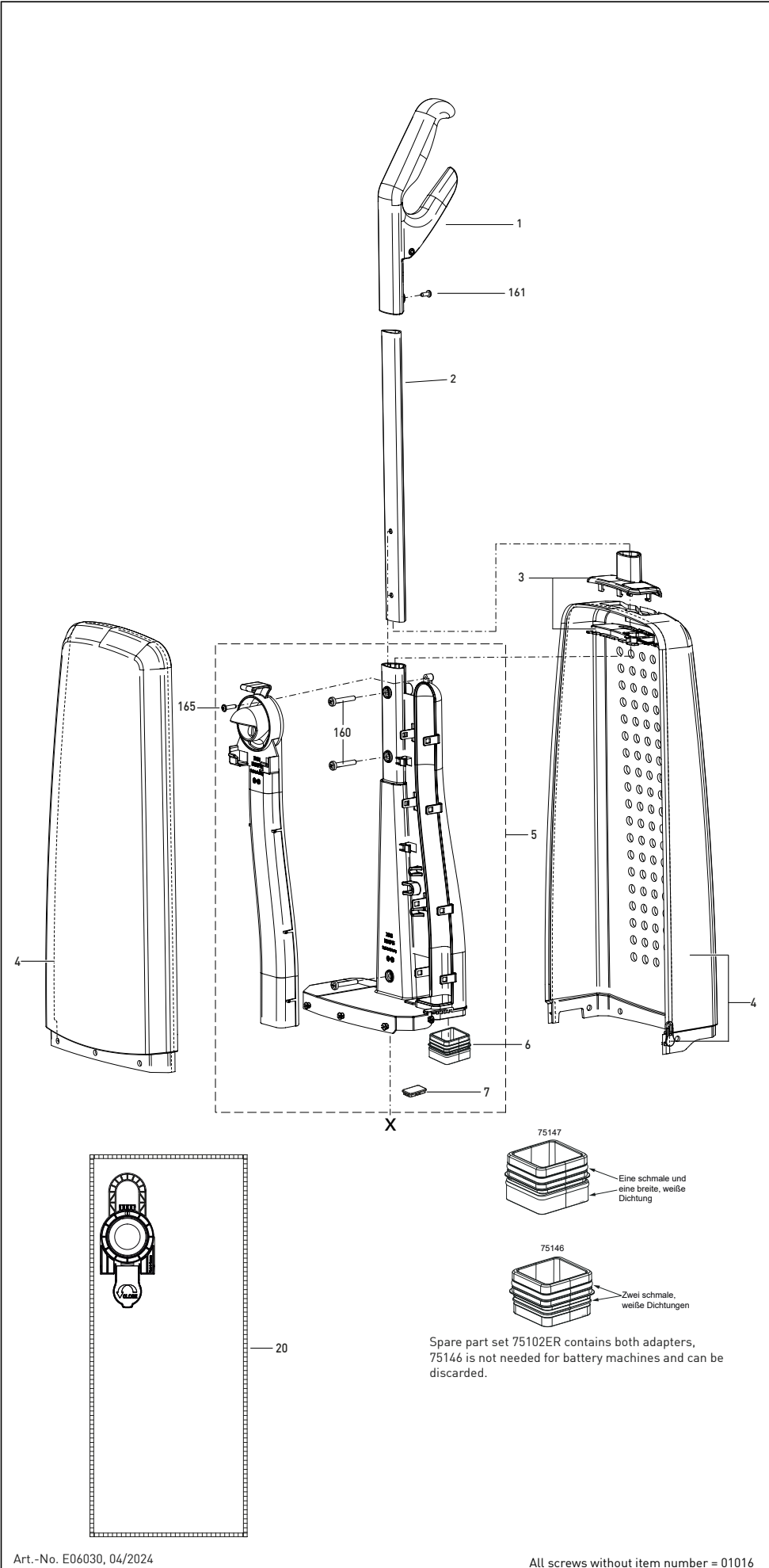


This information is intended for battery powered machines only and is not appropriate for devices with mains supply !



SEBO SOFTCASE BP 25.2 V=

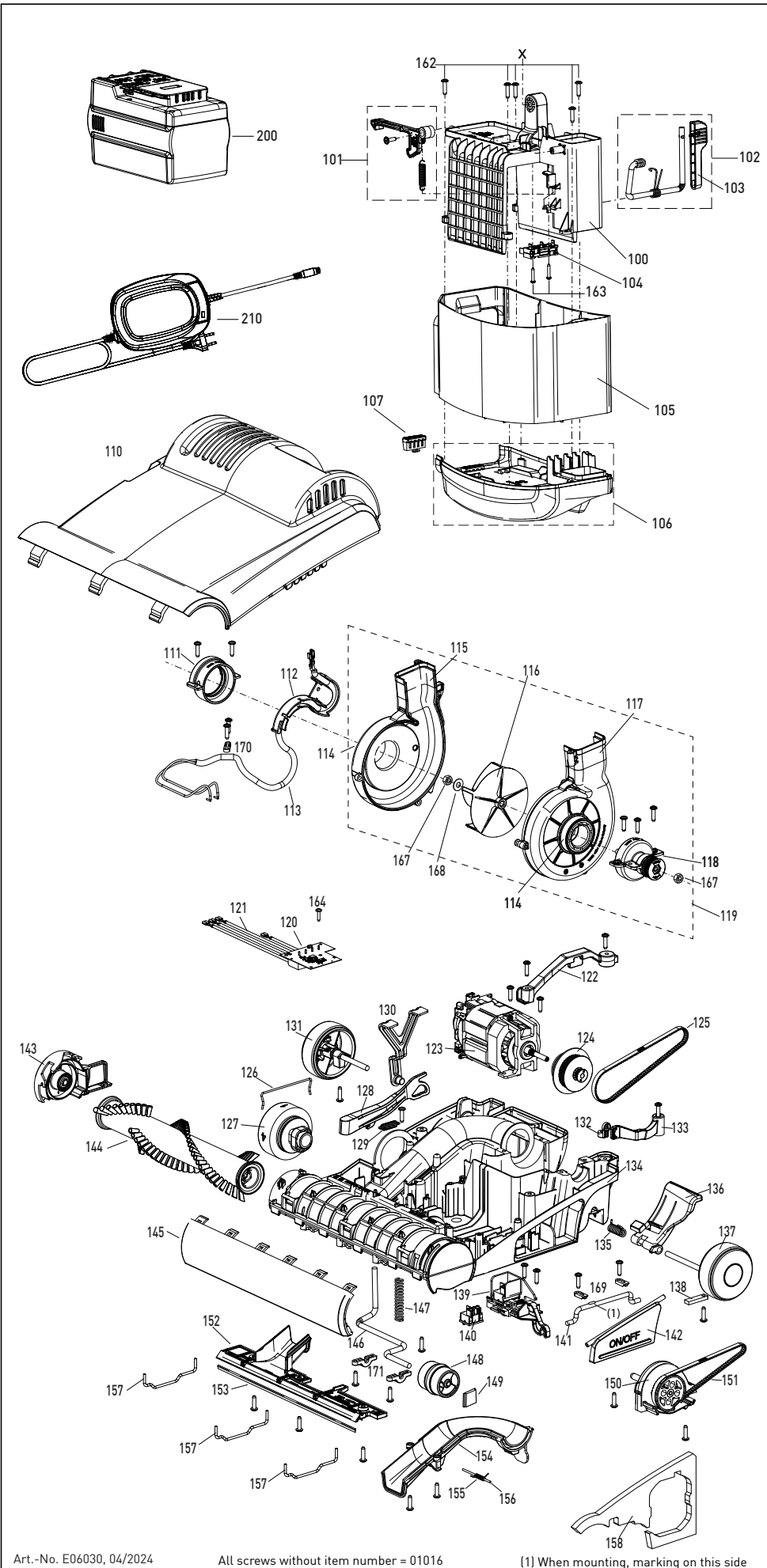


Pos.	Art.-No.	Description
001	75103	Grip LWU, cpl.
002	75016	Handle rod LWU Batt., 434mm
003	75157ER	Handle guide, 2 pcs
004	75101SE	Filter compartment, mounted
005	75102ER	Air guide, cpl., mounted
006	75147	Sealing Adapter Air Duct, Battery
007	75010GS	Cover handle guide
020	75150SE	10x Filter bag LWU i. Poly pack
160	0111ER	Panhead screw AM5x30, 7985
161	0127ER	Screw M4x10, DIN 7985
165	01036ER	AMTEC Screw M4x14, TX 20

This information is intended for battery powered machines only and is not appropriate for devices with mains supply !



SEBO SOFTCASE BP 25.2 V=



Pos.	Art.-No.	Description
100	75020	Battery bridge 25V, gray black, cpl.
101	75152ER	Battery lock, cpl.
102	75106	Battery release , cpl., 25V
103	75005	Battery release lever
104	8409	Contact socket, 3pos
105	75022SE	Battery cover 25V, black
106	75151SW	Battery support, black, mtd. incl. Pos. 107
107	75019	Battery stop
110	75089SE	Top cover SEBO SOFTCASE BP60
111	75129	Swivel neck support r.h.
112	75066gs	Cable channel
113	75140	Swivel neck cable SEBO battery
114	75067	Swivel neck support bushing
115	75064gs	Blower housing rh, SOFTCASE
116	75060we	Rotor
117	75063gs	Blower housing lh, SOFTCASE
118	75116	Swivel neck support l.h., cpl.
119	75138ER	Blower/Swivel neck, assembled
120	75125ER	PCB SOFTCASE 25/36V
121	75127	Cable set Battery
122	75080hg	Motor bridge, light gray
123	75050ER	Motor LWU 25V=,
124	75110ER	Torque Sensor SOFTCASE
125	2923	Toothed belt 333 HTD 3M 6
126	75059	Latching bracket
127	75076	Selector brush height
128	75086	Slider height adjust,
129	4019	Spring
130	75070	Support lever
131	75112GS	Wheel w/achslr rh, mounted
132	75096ER	Magnet support, assembled.
133	75079ER	Magnet lever, assembled
134	75133SE	Bottom unit
135	75093	Spring foot pedal
136	75062	Foot pedal
137	75119	Wheel w/achslr foot pedal,lh
138	2849	Bracket
139	75124ER	Switching unit, assembled
140	05112WI	Rocker switch
141	75094	Switching rod
142	75061	On/Off button
143	75114	Bearing block rh
144	5010EG	Brush roller 31 cm
145	75068	Bumper SOFTCASE
146	75095	Pile adjustment achslr
147	75090	Spring pile adjustment
148	75121	Pile adjustment wheel,assembled
149	5155	Rubbing plate
150	75113	Bearing block lh
151	75098	Toothed belt 318 HTD 3M 6
152	75099	Rear base plate
153	5400-4	Sealing strip SOFTCASE, 259 mm
154	75120SE	Cover airchannel
155	5304	Spring
156	2910	Bearing pin
157	5402	Wire tie, long
158	75097UL	Air separator
160	0111ER	Pan head screw AM 5x30 4.8
161	0127ER	Screw M4 x 10
162	01016ER	Pan head screw STS 4x16 T20
163	01021ER	Pan head screw, F 3,9x13
164	01029ER	Screw C 2,9x13 DIN 7981
165	01036ER	AMTEC Screw M4x14, TX 20
166	01037ER	Screw 3,0x16, TX 10
167	0262ER	Nut M6, left hand tread
168	0150ER	Washer B 4,3 DIN 9021
169	2494ER	Plastic bracket
170	1030UL	Strain relief
171	75075	Axle Bracket
200	94049	SEBO POWER UNIT, 25.2V, 12.3 Ah
210	94048EUER	SEBO POWER CHARGER 120V, AM-plug 2-wire