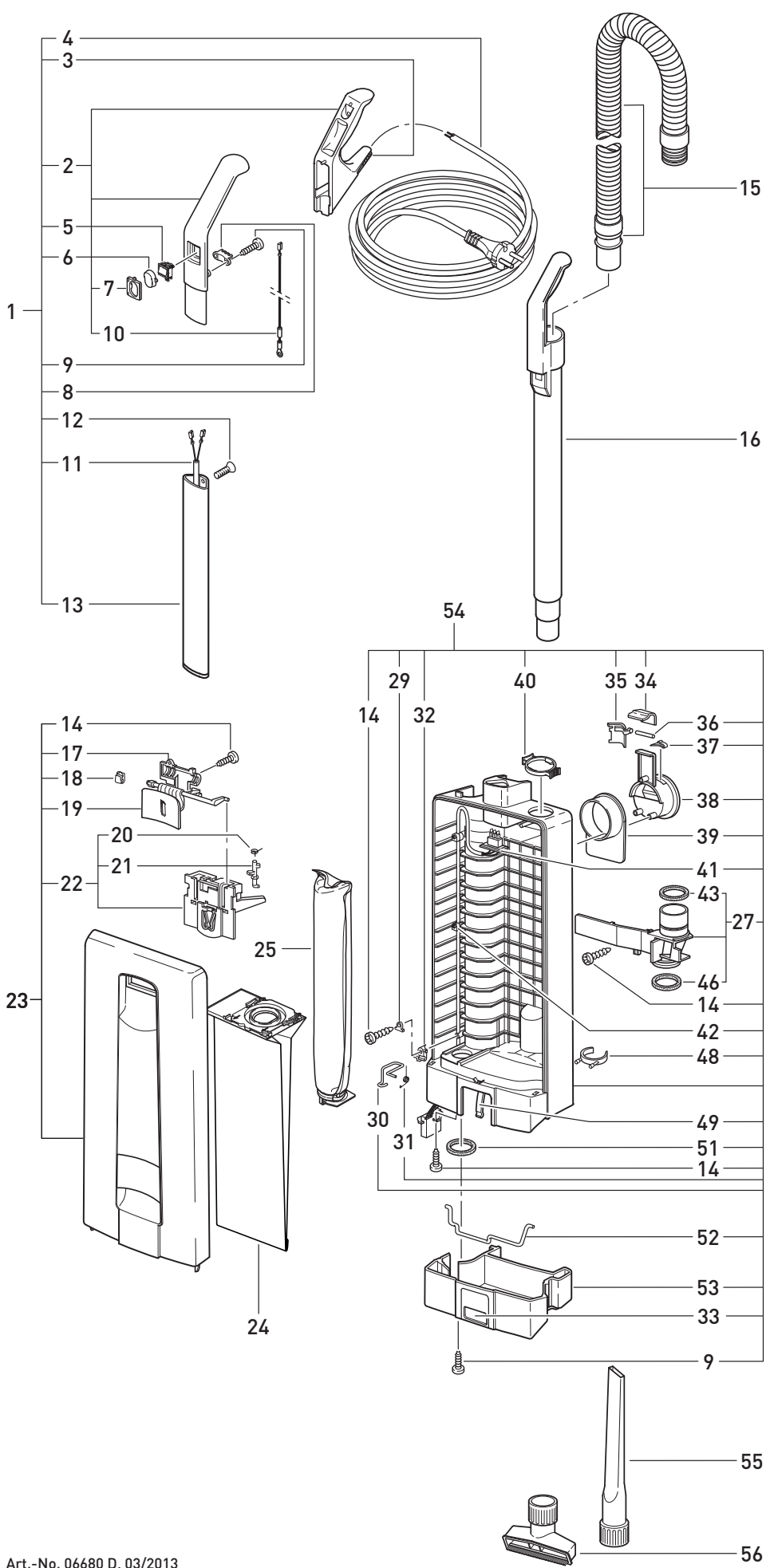


This information intended only for Europe (230 V / 240 V) and does not apply to North America !



SEBO AUTOMATIC XP 1

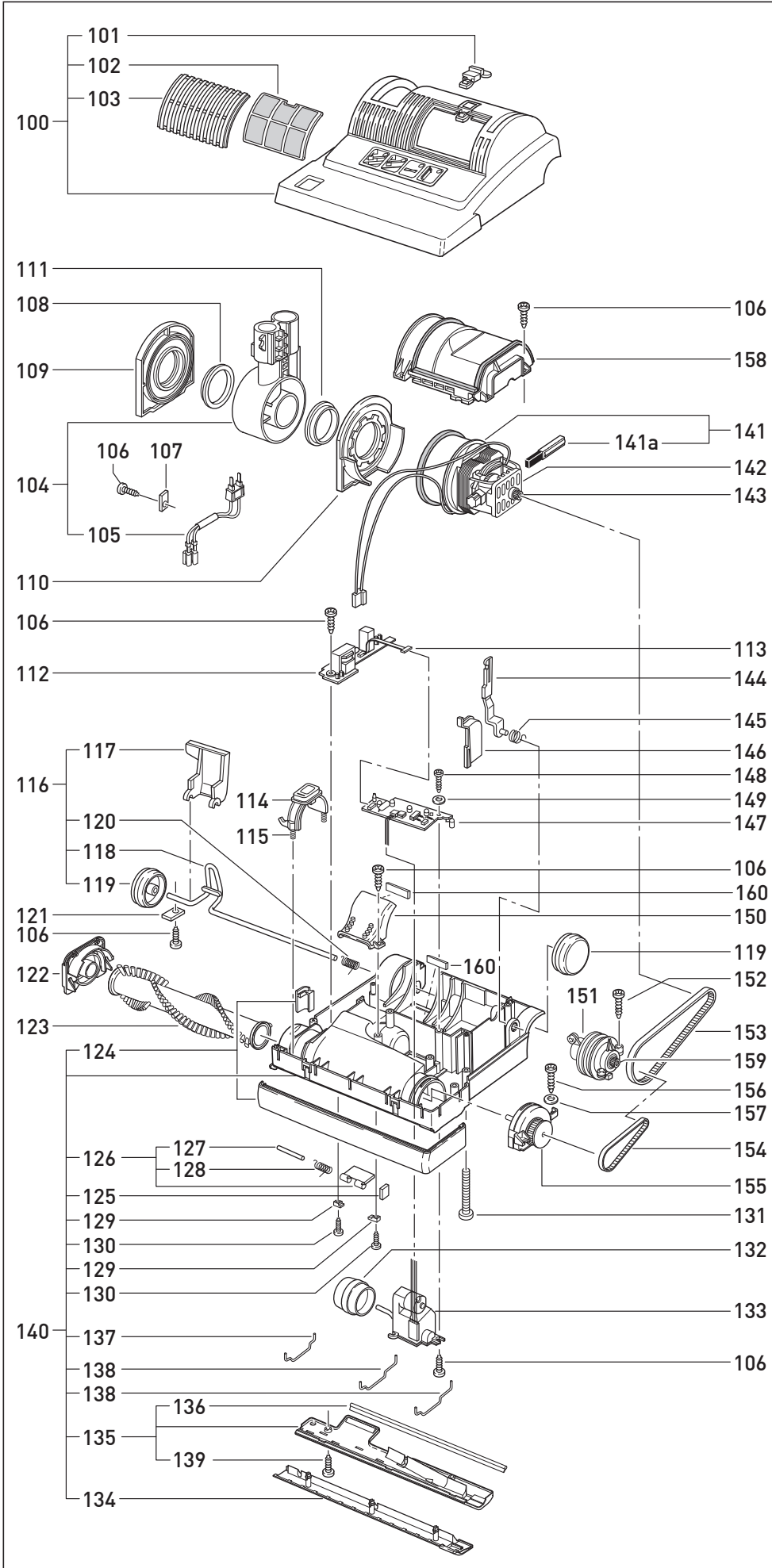


Pos.	Art.-No.	Description (ENG)
1	5628 hg	Handle cpl. with cable 5260 dg
2	5296 ES	Handle grip, compl.
3	5359 HE	Grommet
4	5260 dg	Cable with EU-plug
5	05113	Switch
6	5160 dg	Switch cap
7	5161 hg	Switch cap holder
8	5162	Cable clamp
9	0103 ER	Screw C 3,9x16
10	5253-1	Wire-antistatic
11	5216 ER	Handle cable (230/240V)
12	0129 ER	Screw M 4x12
13	5187	Handle tube
14	0102 ER	Screw F 3,9x13
15	5040 hg	Hose, compl.
16	5045 hg	Extension tube, compl.
17	5803 hg	Cover
18	5319	Bag holder spring
19	5706 dg	Cover release
20	5091	Safety catch spring
21	5360	Safety catch
22	5324	Bag holder compl.
23	5805 SE	Front cover compl.
24	5093 N	Dust bag Sebo X
25	5036 ER	Micro hygiene filter X
27	5380 HG	Internal cover compl.
29	1073	Clamp
30	5208	Filter safety catch
31	5210	Return spring
32	5164	Cable clamp
33	5082 dg	Dust bag housing locking
34	5098 hg	Lock catch
35	5099	Handle lock plate
36	0187 ER	Lock pin 4h9x33,
37	5146	Stop spring
38	5145 hg	Carrying handle
39	5144 hg	Cable hook
40	5424 dg	Retaining ring
41	5217 ER	Internal cable (230/240V)
42	5266	Cable clamp
43	5842	Seal 54x44x6
46	5289	Seal
48	1823 hg	Attachment clip
49	5084	Spring for locking rod
51	5163	Seal
52	5083	Locking rod
53	5085 hg	Dust bag housing bumper base
54	5184 hg	Dust bag housing compl.
55	1092 JE	Crevice nozzle
56	1491 JE	Upholstery nozzle

This information intended only for Europe (230 V / 240 V) and does not apply to North America !



SEBO AUTOMATIC XP 1



Pos.	Art.-No.	Description (ENG)
100	5491 SE	Power head cover XP1, kompl.
101	5008 dg	Exhaust filter catch
102	5143	Exhaust filter X
103	5007 dg	Exhaust filter cover
104	5729 hg	Swivel neck assembly, cpl. (incl. Pos.105) (230/240 V)
105	5176	Male contact holder, kpl. (230/240 V)
106	0102 ER	Screw F 3,9x13
107	2494	Cable clamp
108	5101	Swivel neck bearing r.h.
109	5480	Swivel neck support r.h.
110	5479	Swivel neck support l.h.
111	5717	Swivel neck bearing l.h.
112	5193 ER	PCB 12V power supply (230/240 V)
113	5205	Ribbon cable
114	5102 dg	Brush roller release
115	5103	Spring 0,6x5x22
116	5051 hg	Axle assembly cpl.
117	5059 or	Foot pedal
118	5053	Axle
119	5819 hg	Wheel, cpl.
120	2010	Axle spring
121	2014 ER	Axle clamp
122	5031 hg	Bearing block r.h.
123	5010 ER	Brush roller XP 1
124	5005 hg	Bumper, set XP 1
125	5155 hg	Rubbing plate
126	5172 OR	Access door cpl.
127	5303	Access door axle
128	5304	Access door spring
129	5154 hg	Hinge
130	0100 ER	Screw C 2,9x9,5
131	0176 ER	Screw AM 4x30
132	5174 hg	Pile adjustment wheel, cpl.
133	5060 ER	Servo motor with gear box, cpl.
134	5411 hg	Front bottom plate XP 1, cpl.
135	5412 hg	Rear bottom plate XP 1, cpl.
136	5400-1	Sealing strip
137	5401	Wire tie
138	5402	Wire tie
139	0197 ER	Screw M4x12 Z1
140	5482 hg	Chassis XP 1, compl.
141	5470	Vacuum motor 230V/1000W
141a	05118 S	Carbon brush set
142	5100	Rubber mounting
143	5462	Motor pulley 2MR
144	5129	Support lever
145	5107-1	Support spring
146	5112 sw	Motor pulley cover
147	5740 ER	Computer controller
148	0107 ER	Screw C 2,9x13
149	0143 ER	Washer 3,2 DIN 125
150	5173 sw	Cover for air channel
151	5464	Sensor XP1, cpl.
152	0104 ER	Screw C 3,9x25
153	5463	Belt 2MR-310-6
154	5110	Belt 219 3M HTDII-6
155	5766 hg	Bearing block l.h., cpl.
156	0103 ER	Screw C 3,9x16
157	0141 ER	Locking washer TN 451003
158	5018 UL	Motor cover compl.
159	5117/1	Sensor pulley
160	5108	Felt strip