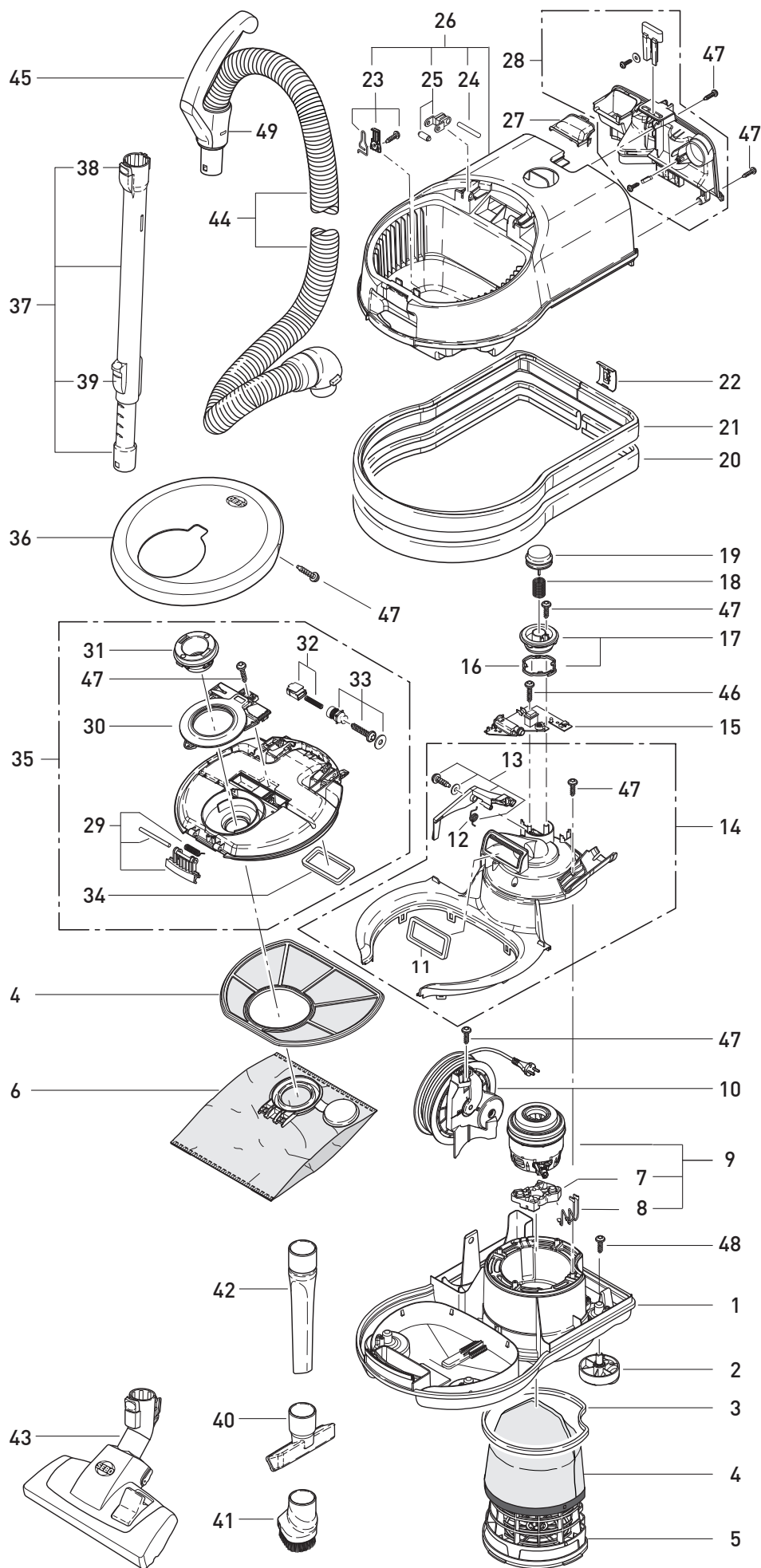


This information intended only for Europe (230 V / 240 V) and does not apply to North America!

red



SEBO AIRBELT D1



| Pos. | Part.-No. | Description |
|------|-----------|---------------------------|
| 1 | 8001drER | Bottom casing |
| 2 | 8086gs | Castor cpl. |
| 3 | 8065ER | Exhaust filter seal |
| 4 | 8191ER | Micro filter box D |
| 5 | 8084ER | Filter holder |
| 6 | 8120ER | SEBO-Filterbox D |
| 7 | 8045ER | Motor support |
| 8 | 8090ER | Internal cable set |
| 9 | 8046ER | Vacuum motor |
| | | 220 - 240V,1400W cpl. |
| 10 | 665621E | Cable rewind unit D 7,5m |
| | | contour plug |
| 11 | 8009 | Motor inlet seal |
| 12 | 8098ER | Rewind lever spring |
| 13 | 8036ER | Rewind lever cpl. |
| 14 | 8085ER | Motor cover cpl. |
| 15 | 8101ER | Printed Circuit board |
| 16 | 8058ER | Retaining ring |
| 17 | 8038ER2 | Power display overprinted |
| 18 | 8057 | Spring |
| 19 | 8202gs | Power knob |
| 20 | 6047ER01 | AIR BELT |
| 21 | 8033UL | Foam Bumper |
| 22 | 8034gs | Air Belt clip |
| 23 | 8140ER | Filter bag spring |
| 24 | 6750ER | Cover Axle |
| 25 | 8052ER | Cover Hinge |
| 26 | 8003drER | Top casing |
| 27 | 8059gs | Cable entry |
| 28 | 8010gsER | Attachment holder |
| 29 | 8114ER | Cover release |
| 30 | 8129gs | Cover insert |
| 31 | 8078gs | Hose neck |
| 32 | 7020ER | Bag indicator |
| 33 | 8127ER | Bag indicator adjuster |
| 34 | 8130 | Cover seal |
| 35 | 8051ER1 | Inside cover cpl. |
| 36 | 8005drE0 | Cover |
| 37 | 6271gs | Telescopic tube |
| 38 | 6420gs | Release button, cpl. |
| 39 | 6421gs | Slide Button, cpl. |
| 40 | 8142gs | Upholstery nozzle |
| 41 | 8146ER | Dusting brush |
| 42 | 8066gs | Crevice nozzle |
| 43 | 1397gs | Combination nozzle |
| 44 | 8169gs | Hose with end couplings |
| | | incl. handle |
| 45 | 6300gs | Handle grip cpl. |
| 46 | 01000ER | Screw 2,9x16, |
| 47 | 01036ER | Screw 4 x14 |
| 48 | 0102ER | Screw 3,9x13 |
| 49 | 6303gs | Retaining ring |