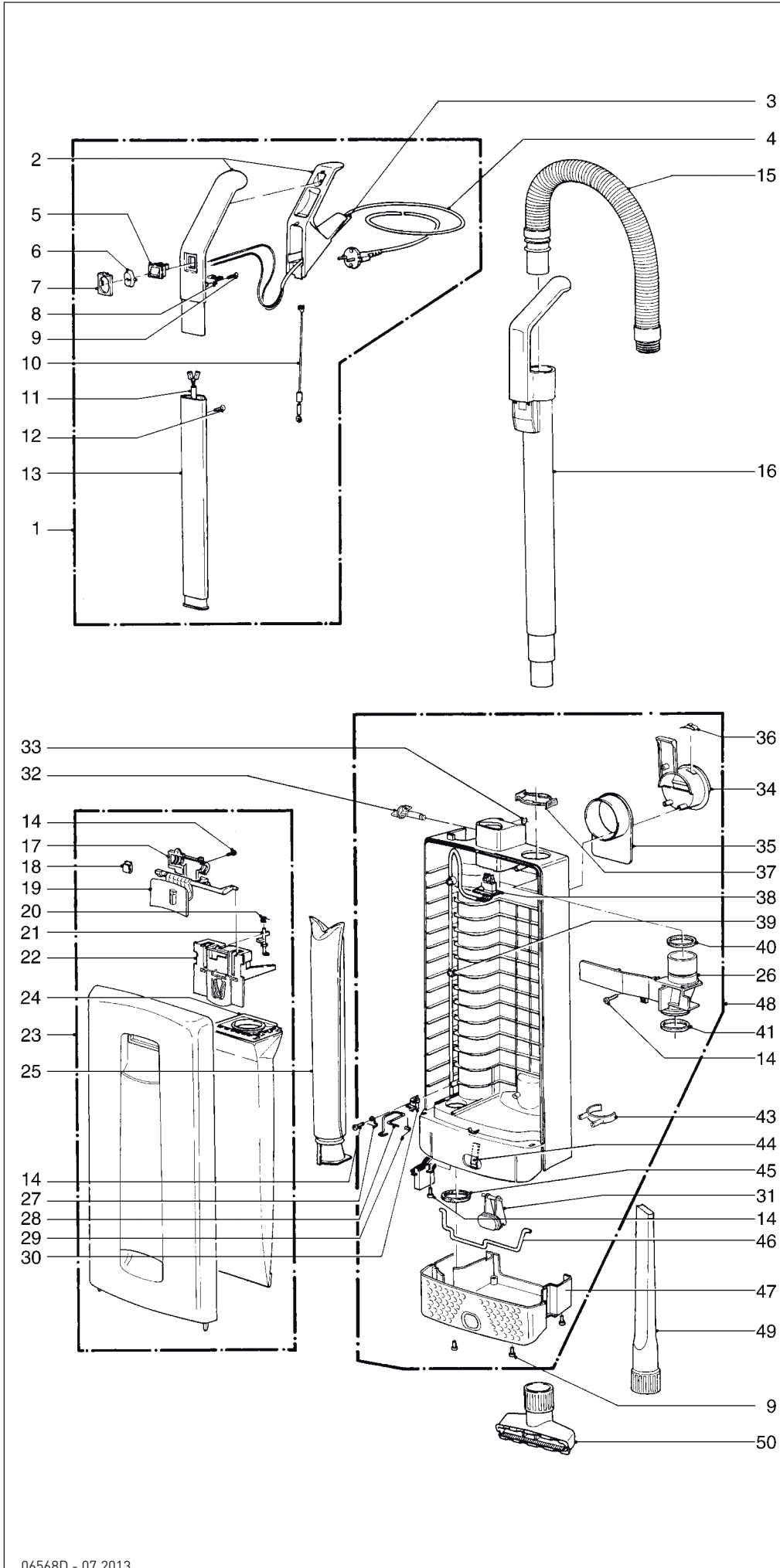


This information intended only for Europe (230 V / 240 V) and does not apply to North America !

230 V



SEBO AUTOMATIC X5 WHITE



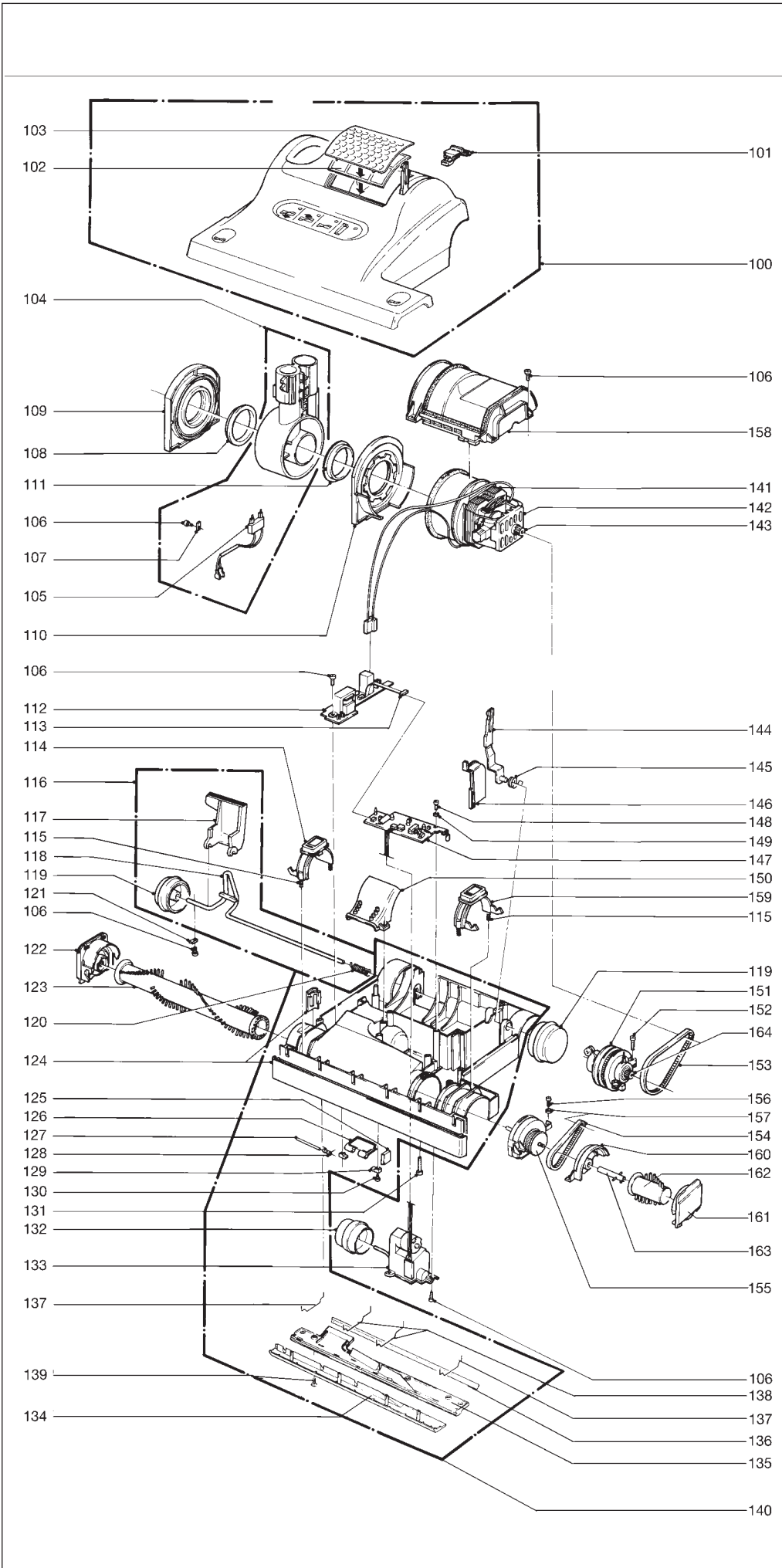
Pos	Prod.-code	Description
1	5642CH	Handle cpl.grey-black/white (CH)
1	5642 SE	Handle cpl.grey-black/white (D)
2	5297 gsSE	handle grip x grey-black
3	5359 GS	Grommet
4	5260 dg	Cable with EU-plug
4	5351 dg	Cable with CH-plug (10m)
5	05113	Switch 2-pol.
6	5160 we	Switch cap, white
7	5161 gs	Switch cap holder
8	5162	Cable clamp
9	0103 ER	Screw c 3,9x16
10	5253-1	Wire-antistatic
11	5216 ER	Handle cable
12	0129 ER	Screw, m4 x 12
13	5187	Handle tube x / 345 mm
14	0102 ER	Screw f 3,9x13
15	5040 sb	Hose, cpl. X (silver)
16	5045 gs	Extension tube X
17	5707 we	Cover, white
18	5319	Bag holder spring
19	5706 gs	Cover release, grey-black
20	5091	Safety catch spring
21	5360	Safety catch
22	5324	Bag holder cpl.
23	50750 SE	Front cover complete white/grey-black
24	5093 ER	Sebo-Filterbox X
25	5036 ER	Micro hygiene filter
26	5380 GS	Internal cover, compl.
27	1073	Clamp
28	5208	Filter safety catch
29	5210	Return spring
30	5164	Cable clamp
31	5722 gs	Dust bag housing locking grey-black
32	1859 gs	Handle catch grey-black
33	0161 ER	Clip 4
34	5721 we	Carrying handle
35	5703 we	Cable hook
36	5146	Stop spring
37	5424 GS	Retaining ring
38	5217 ER	Internal cable
39	5266	Cable clamp
40	5842	Seal
41	5289	Seal
43	1823 gs	Attachment clip
44	5084	Spring for locking rod
45	5163	Seal
46	5083	Locking rod
47	5702 we	Dust bag hous.bumper base
48	5755 we	Dust bag housing X compl. white/grey-black
49	1092 we	Crevice nozzle
50	1491 we	Upholstery nozzle

This information intended only for Europe (230 V / 240 V) and does not apply to North America !

230 V



SEBO AUTOMATIC X5 WHITE



Pos	Prod.-code	Description
100	5791 SE	Power head cover compl. white/grey-black
101	5712 we	Exhaust filter catch
102	5143	Exhaust filter
103	5711 we	Exhaust filter cover
104	5729 hg	Swivel neck assembly
105	5176	Male contact holder
106	0102 ER	Screw f 3,9x13
107	2494	Cable clamp
108	5101	Swivel neck bearing r.h.
109	5178	Swivel neck support r. h.
110	5728	Swivel neck support l.h.
111	5717	Swivel neck bearing l.h.
112	5193 ER	Power supply
113	5205	Ribbon cable
114	5713 we	Brush roller release
115	5103	Spring
116	5051 gs	Axle, assembly
117	5059 or	Foot pedal
118	5053	Axle
119	5819 gs	Wheel
120	2010	Axle spring
121	2014 ER	Axle clamp
122	5031 we	Bearing block right hand
123	5090 ER	Brush roller
124	5230 gs	Bumper
125	5155 gs	Rubbing plate
126	5172 OR	Access door
127	5303	Access door axle
128	5304	Access door spring
129	5154 gs	Hinge
130	0100 ER	Screw c 2,9x9,5
131	0176 ER	Screw am4 x 30
132	5174 gs	Pile adjustment wheel
133	5060 ER	Servo motor with gear box
134	5413 gs	Front bottom plate cpl.
135	5414 gs	Rear bottom plate cpl. incl. pos. 136 +139
136	5400-2	Sealing strip
137	5401	Wire tie
138	5402	Wire tie
139	0197 ER	Screw
140	5321 gs	Chassis X5, compl.
141	051185	Carbon brush set
142	5470	Motor X, 230V-1000W
143	5100	Rubber mounting
144	5462	Vacuum motor pulley 2mr
145	5129	Support lever
146	5107-1	Support spring
147	5112 sw	Motor pulley cover
148	5740 ER	Computer controller
149	0107 ER	Screw c 2,9x13,
150	0143 ER	Washer 3,2
151	5173 sw	Suction duct access cover
152	5465	Sensor cpl.
153	0104 ER	Screw c 3,9x25
154	5463	Belt
155	5110	Belt
156	5767 hg	Bearing block l.h. cpl.
157	0103 ER	Screw c 3,9x16
158	0141 ER	Locking washer
159	5018 UL	Motor cover
160	5714 we	Brush roller release
161	5244 hg	Seal bearing
162	5249 we	Brush cover
163	5250	Edge brush
164	5246	Shaftextension cpl.
165	5117/1	Sensor pulley