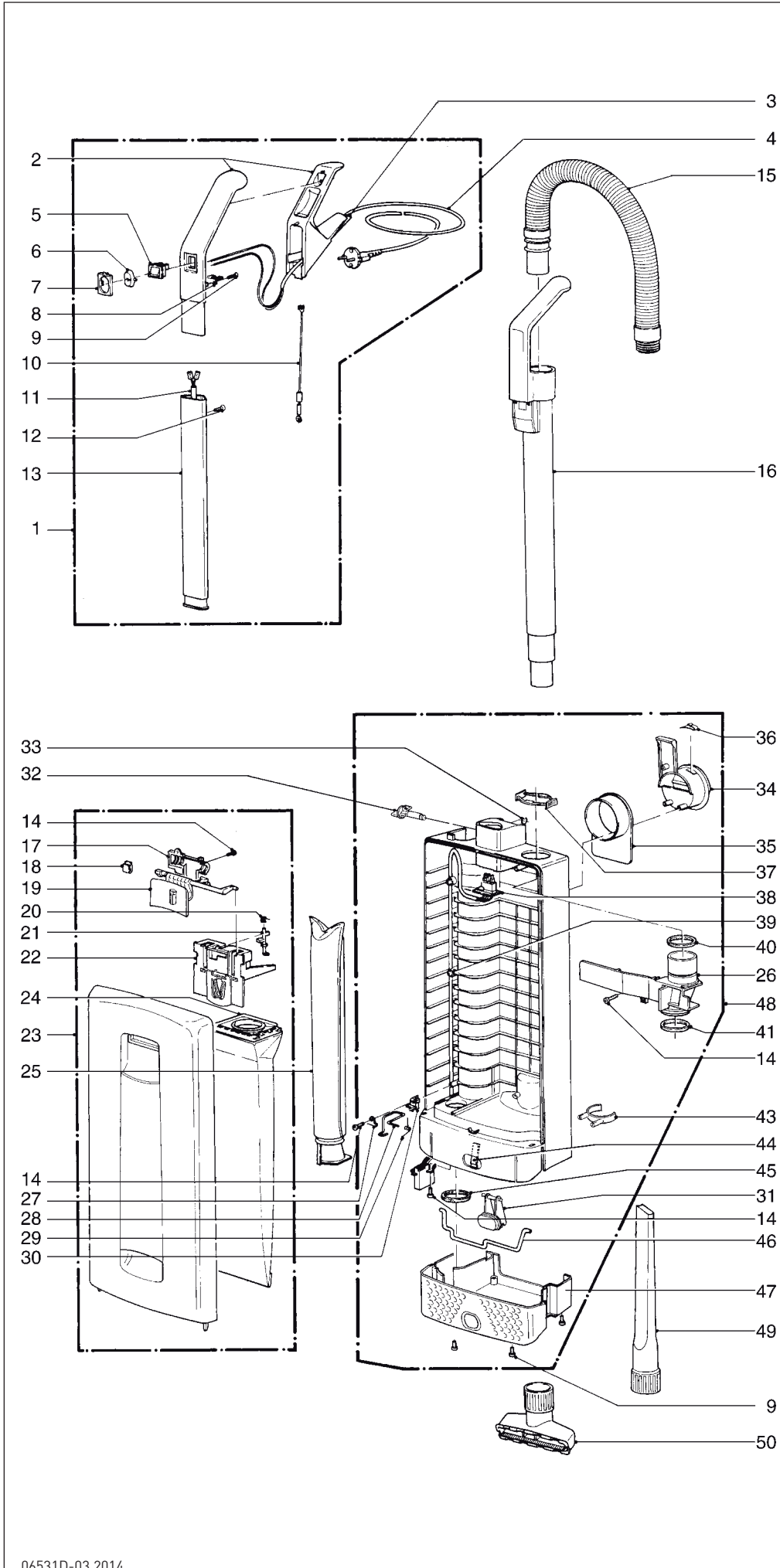


This information intended only for Europe (230 V / 240 V) and does not apply to North America !

230 V



SEBO AUTOMATIC X4 BLUE



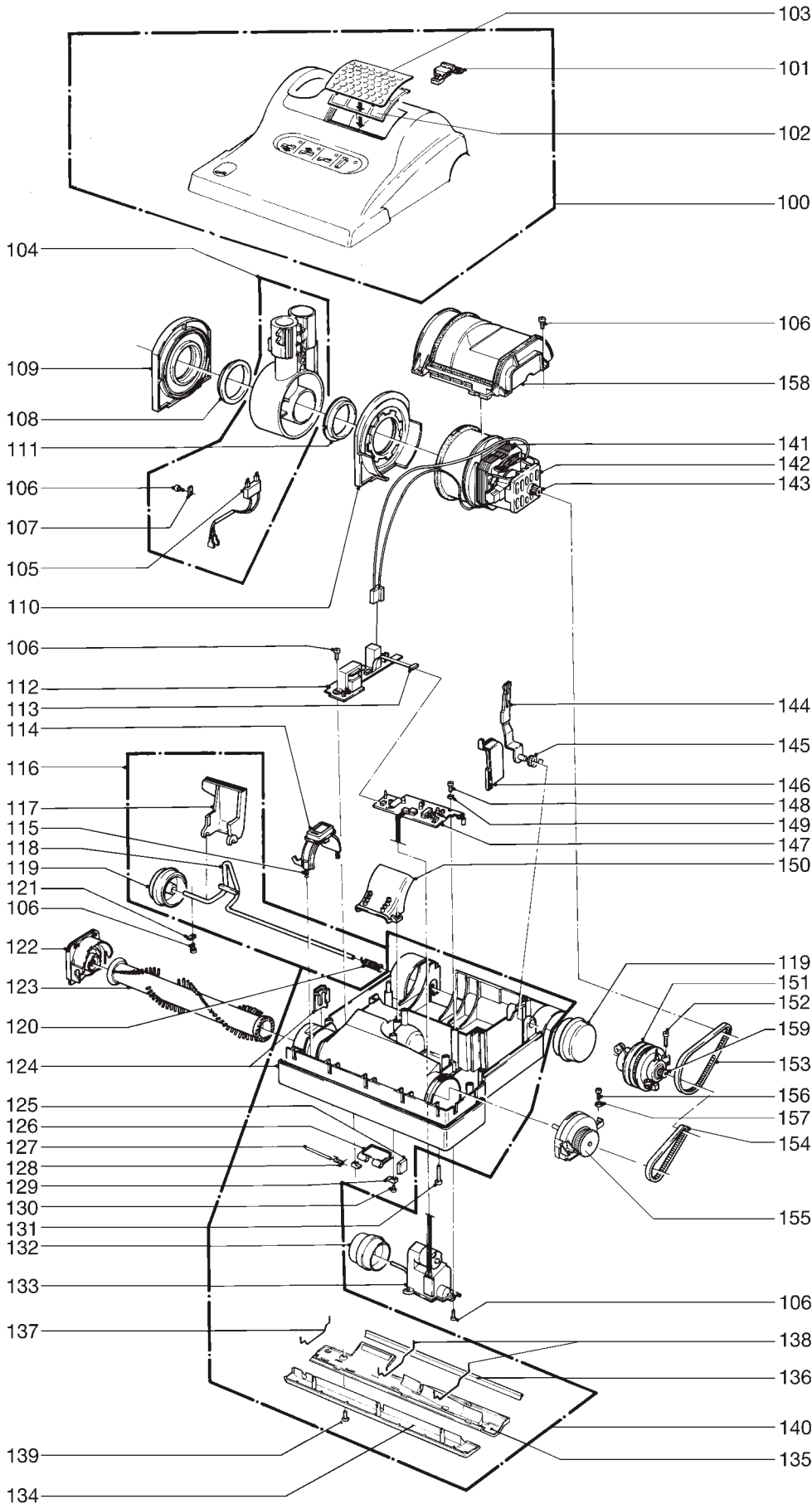
Pos	Prod.-code	Description
1	5647CH	Handle cpl. grey-black/yellow (CH)
1	5647SE	Handle cpl. grey-black/yellow (D)
2	5297gsSE	handle grip x grey-black
3	5359GS	Grommet
4	5260dg	Cable with EU-plug
4	5351dg	Cable with CH-plug (10m)
5	05113	Switch 2-pol.
6	5160sg	Switch cap, yellow
7	5161gs	Switch cap holder
8	5162	Cable clamp
9	0103ER	Screw c 3,9x16
10	5253-1	Wire-antistatic
11	5216ER	Handle cable
12	0129ER	Screw, m4 x 12
13	5187	Handle tube x / 345 mm
14	0102ER	Screw f 3,9x13
15	5040sb	Hose, cpl. X (silver)
16	5045gs	Extension tube X
17	5707db	Cover, dark blue
18	5319	Bag holder spring
19	5706sg	Cover release, yellow
20	5091	Safety catch spring
21	5360	Safety catch
22	5324	Bag holder cpl.
23	5749SE	Front cover complete blue/ yellow
24	5093ER	Sebo-Filterbox X
25	5036ER	Micro hygiene filter
26	5380GS	Internal cover, compl.
27	1073	Clamp
28	5208	Filter safety catch
29	5210	Return spring
30	5164	Cable clamp
31	5722sg	Dust bag housing locking yellow
32	1859sg	Handle catch yellow
33	0161ER	Clip 4
34	5721db	Carrying handle
35	5703db	Cable hook
36	5146	Stop spring
37	5424GS	Retaining ring
38	5217ER	Internal cable
39	5266	Cable clamp
40	5842	Seal
41	5289	Seal
43	1823gs	Attachment clip
44	5084	Spring for locking rod
45	5163	Seal
46	5083	Locking rod
47	5702db	Dust bag hous. bumper base
48	5755db	Dust bag housing x compl. blue/yellow
49	1092gs	Crevice nozzle
50	1491gs	Upholstery nozzle

This information intended only for Europe (230 V / 240 V) and does not apply to North America !

230 V



SEBO AUTOMATIC X4 BLUE



Pos	Prod.-code	Description
100	5786SE	Power head cover compl. blue/yellow
101	5712db	Exhaust filter catch
102	5143	Exhaust filter
103	5711db	Exhaust filter cover
104	5729hg	Swivel neck assembly
105	5176	Male contact holder
106	0102ER	Screw f 3,9x13
107	2494	Cable clamp
108	5101	Swivel neck bearing r.h.
109	5480	Swivel neck support r. h.
110	5479	Swivel neck support l.h.
111	5717	Swivel neck bearing l.h.
112	5193ER	Power supply
113	5205	Ribbon cable
114	5713db	Brush roller release
115	5103	Spring
116	5051gs	Axle, assembly
117	5059or	Foot pedal
118	5053	Axle
119	5819gs	Wheel
120	2010	Axle spring
121	2014ER	Axle clamp,
122	5031db1	Bearing block right hand
123	5010ER	Brush roller
124	5005gs	Bumper
125	5155gs	Rubbing plate
126	5172OR	Access door
127	5303	Access door axle
128	5304	Access door spring
129	5154gs	Hinge
130	0100ER	Screw c 2,9x9,5
131	0176ER	Screw am4 x 30
132	5174gs	Pile adjustment wheel
133	5060ER	Servo motor with gear box
134	5411gs	Front bottom plate cpl
135	5412gs	Rear bottom plate cpl
136	5400-1	Sealing strip
137	5401	Wire tie
138	5402	Wire tie
139	0197ER	Screw
140	5482gs	Chassis X4, compl.
141	05118S	Carbon brush set
141	5470	Motor X, 230V-1000W
142	5100	Rubber mounting
143	5462	Vacuum motor pulley 2mr
144	5129	Support lever
145	5107-1	Support spring
146	5112sw	Motor pulley cover
147	5740ER	Computer controller
148	0107ER	Screw c 2,9x13,
149	0143ER	Washer 3,2 din 125
150	5173sw	Suction duct access cover
151	5464	Sensor cpl.
152	0104ER	Screw c 3,9x25
153	5463	Belt
154	5110	Belt
155	5766hg	Bearing block l.h. cpl.
156	0103ER	Screw c 3,9x16 din 7981
157	0141ER	Locking washer
158	5018UL	Motor cover
159	5117/1	Sensor pulley