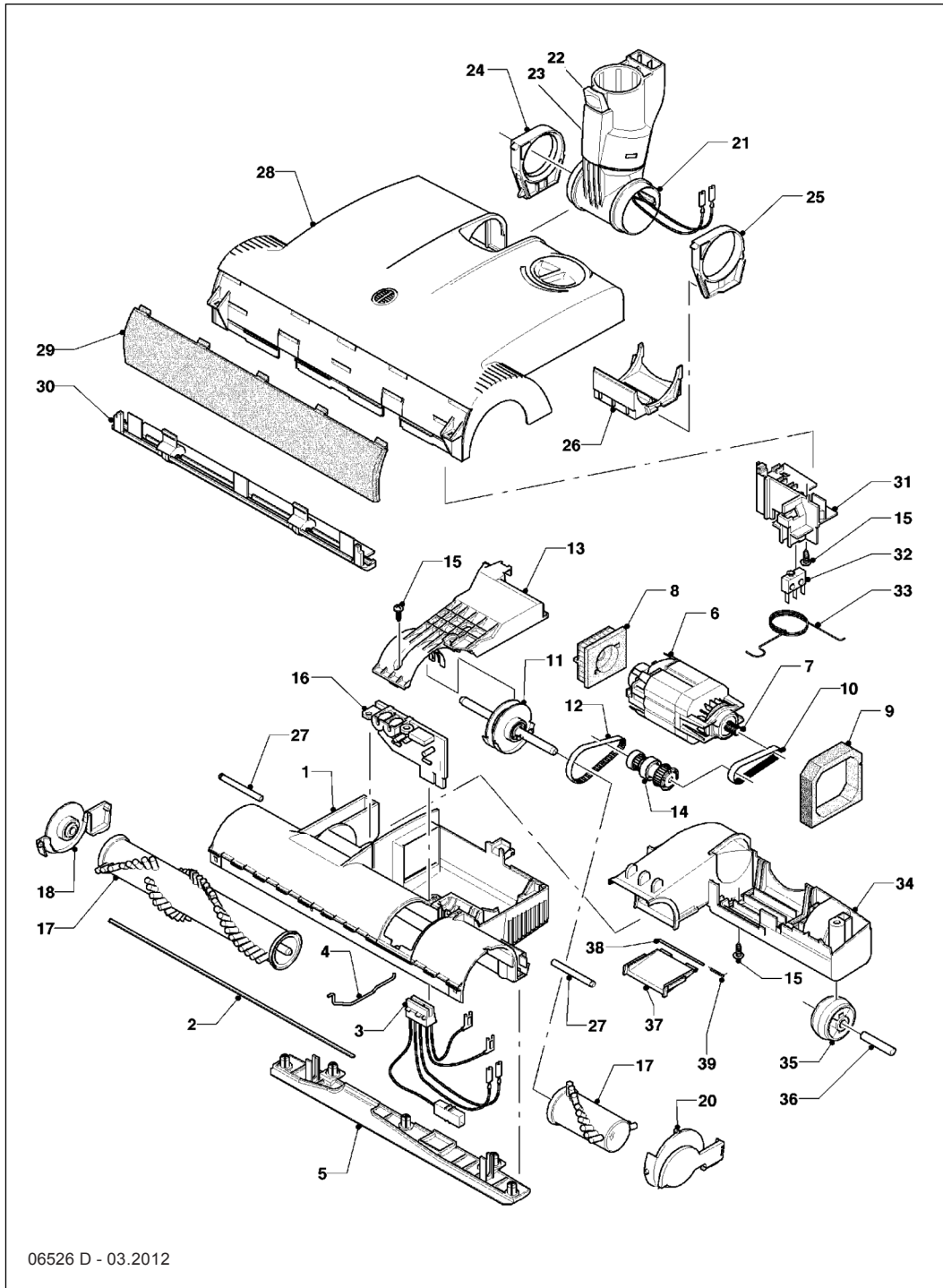


Ersatzteilliste / Parts List / Pièces Détachées ET-H

Diese Informationen sind nur für Europa bestimmt (230 V / 240 V) und gelten nicht für Nordamerika!
This information intended only for Europe (230 V / 240 V) and does not apply to North America!



06526 D - 03.2012

| Pos. | Product-Code | Description |
|------|--------------|---------------------------------|
| 1 | 2701 dg | Chassis |
| 2 | 2708 | Sealing strip |
| 3 | 2729 UL | Cable set |
| 4 | 2707 | Wire tie |
| 5 | 2704 ER | Rear bottom plate, cpl. |
| 6 | 2734 | Brush motor 230/240 V 150 |
| 7 | 2760 | Motor pulley |
| 8 | 2735 | Motor support |
| 9 | 2737 | Motor gasket |
| 10 | 2749 | Drive belt, motor |
| 11 | 2753 | Brush drive unit |
| 12 | 2750 | Drive belt, brush |
| 13 | 2702 dg | Motor cover |
| 14 | 2736 ER | Transmission shaft, cpl. |
| 15 | 0102 ER | Screw F 3,9 x 13 |
| 16 | 2792 ER | Printed circuit board |
| 17 | 2758 ER | Brush roller set |
| 18 | 2751 dg | Bearing block right hand |
| 20 | 2752 dg | Brush cover, cpl. |
| 21 | 2798 ER | Swivel neck assembly |
| 22 | 1737 dg | Release button |
| | 1739 | Leaf spring |
| 23 | 2775 dg | Cap |
| 24 | 2796 hg | Swivel neck support r.h. |
| 25 | 2797 hg | Swivel neck support l.h. |
| 26 | 2779 dg | Stop spring |
| 27 | 2706 | Swivel axle |
| 28 | 2710 gw | Power head cover (white) |
| | 2710 fg | Power head cover (spring green) |
| | 2710 db | Power head cover (dark blue) |
| | 2710 sr | Power head cover (burgundy) |
| 29 | 2716 dg | Bumper |
| 30 | 2714 dg | Front bottom plate, cpl. |
| 31 | 2764 hg | Spring bracket |
| 32 | 05105 | Switch |
| 33 | 2762 | Adjustment spring |
| 34 | 2709 dg | Wheel housing |
| 35 | 2608 dg | Wheel |
| 36 | 2720 | Wheel axle |
| 37 | 2794 OR | Access door |
| 38 | 5303 | Access door axle |
| 39 | 5304 | Access door spring |

| Pos. | Part./No. | Description |
|------|-----------|---|
| 1 | 2701 dg | Chassis |
| 2 | 2708 | Barrette caoutchouc |
| 3 | 2729 UL | Cable |
| 4 | 2707 | Séparateur |
| 5 | 2704 ER | Plaque arrière, cpl. |
| 6 | 2734 | Moteur de brosse 230 / 240 V, 150 W, cpl. |
| 7 | 2760 | Poulie moteur |
| 8 | 2735 | Support moteur |
| 9 | 2737 | Joint |
| 10 | 2749 | Courroie |
| 11 | 2753 | Axe d'entraînement de brosse |
| 12 | 2750 | Courroie |
| 13 | 2702 dg | Capot moteur |
| 14 | 2736 ER | Arbre de transmission |
| 15 | 0102 ER | Vis F 3,9 x 13 |
| 16 | 2792 ER | Control électrique |
| 17 | 2758 ER | Brosse set |
| 18 | 2751 dg | Bloc de roulement droit |
| 20 | 2752 dg | Couvercle de brosse |
| 21 | 2798 dg | Articulation |
| 22 | 1737 dg | Verrouillage |
| | 1739 | Ressort plat |
| 23 | 2775 dg | Couvercle |
| 24 | 2796 hg | Support d'embout droit |
| 25 | 2797 hg | Support d'embout gauche |
| 26 | 2779 dg | Logement de rotule |
| 27 | 2706 | Axe pivot |
| 28 | | Couvercle du bloc moteur (blanc) |
| | | (vert) |
| | | (bleu foncé) |
| | | (bordeaux) |
| 29 | 2716 dg | Pre choc |
| 30 | 2714 dg | Plaque avant, cpl. |
| 31 | 2764 hg | Support de ressort |
| 32 | 05105 | Interrupteur |
| 33 | 2762 | Ressort |
| 34 | 2709 dg | Logement de roue |
| 35 | 2608 dg | Roue |
| 36 | 2720 | Axe de roue |
| 37 | 2794 OR | Portiere |
| 38 | 5303 | Axe de portiere |
| 39 | 5304 | Ressort |

| Pos. | Art.-Nr. | Artikel |
|------|----------|------------------------------|
| 1 | 2701 dg | Unterteil |
| 2 | 2708 | TPU-Dichtlippe |
| 3 | 2729 UL | Leitungssatz |
| 4 | 2707 | U-Bügel, Bürstentunnel |
| 5 | 2704 ER | Bodenleiste, hinten |
| 6 | 2734 | Bürstenmotor 230 / 240 V |
| 7 | 2760 | Motorzahnscheibe |
| 8 | 2735 | Motorlager |
| 9 | 2737 | Motordichtung |
| 10 | 2749 | Zahnriemen, Motor |
| 11 | 2753 | Bürstenantriebseinheit, kpl. |
| 12 | 2750 | Zahnriemen, Bürste |
| 13 | 2702 dg | Motorabdeckung |
| 14 | 2736 ER | Zwischenwelle, vorm. |
| 15 | 0102 ER | Linienblechschr. F 3,9 x 13 |
| 16 | 2792 ER | Leiterplatte |
| 17 | 2758 ER | Bürstensatz |
| 18 | 2751 dg | Loslagerhalter, vorm. |
| 20 | 2752 dg | Abdeckung, vorm. |
| 21 | 2798 ER | Gelenk, kpl. |
| 22 | 1737 dg | Raste |
| | 1739 | Rastenfeder |

| Pos. | Art.-Nr. | Artikel |
|------|----------|--------------------------------|
| 23 | 2775 dg | Rastenabdeckung |
| 24 | 2796 hg | Gelenklager |
| 25 | 2797 hg | Gelenklager |
| 26 | 2779 dg | Rastfeder |
| 27 | 2706 | Verbindungsachse |
| 28 | 2710 gw | Oberteil, kpl. (grauweiß) |
| | 2710 fg | Oberteil, kpl. (frühlingsgrün) |
| | 2710 db | Oberteil, kpl. (dunkelblau) |
| | 2710 sr | Oberteil, kpl. (schwarzrot) |
| 29 | 2716 dg | Stoßbandage |
| 30 | 2714 dg | Bodenleiste, vorne, vorm. |
| 31 | 2764 hg | Federaufnahme |
| 32 | 05105 | Schnappschalter |
| 33 | 2762 | Drehfeder |
| 34 | 2709 dg | Gelenkwanne, vorm. |
| 35 | 2608 dg | Laufrolle |
| 36 | 2720 | Achse, Gelenkwanne |
| 37 | 2794 OR | Reinigungsklappe |
| 38 | 5303 | Lagerstift |
| 39 | 5304 | Drehfeder |