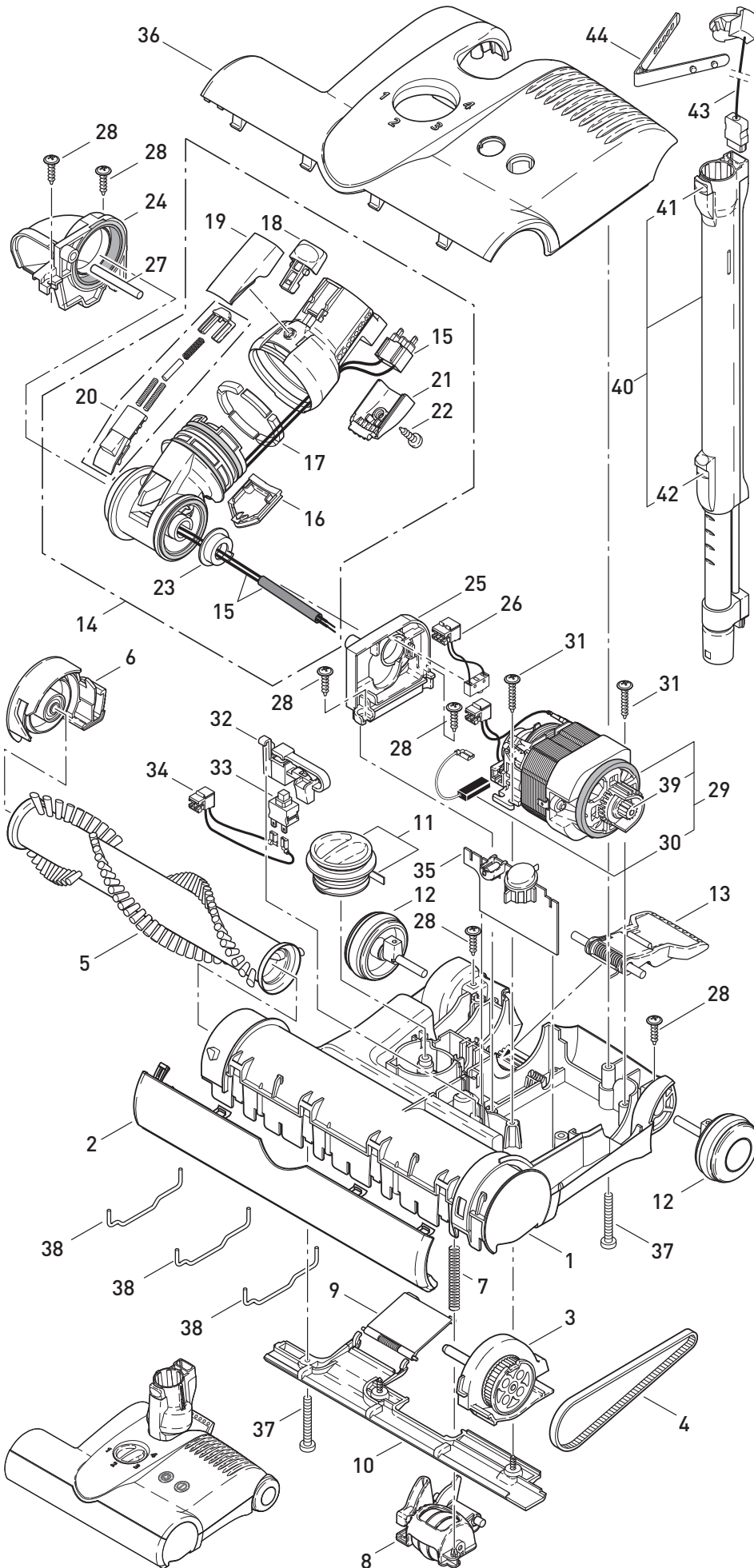


These information is intended only for Europe (230V/240 V) and does not apply not to North America!



SEBO ET-1 RED FÜR AIRBELT C.2.1



Pos.	Product-Code	Description
1	2324 dg	Chassis ET1
2	2302 dg	Bumper ET1, kpl.
3	2314 dg	Bearing block, left cpl.
4	2923	Belt 333 3M HTDII-6
5	5010 ER	Brush roller, cpl.
6	2313 dg	Bearing block, right cpl.
7	2929	Spring
8	2316 dg	Pile adjustment assembly, compl.
9	2909 VO	Access door
10	2304 dg	Rear bottom plate, cpl.
11	2931 DG	Pile adjustment button
12	2306 DG	Wheel cpl.
13	2937 OR	Foot pedal
14	2307 dg	Swivel neck assembly, cpl.
15	0876 ER	Wiring swivel neck
16	2947 DG	Cover
17	2950 ER	Segments, TS-neck
18	1737 DG	Release button
19	2952 dg	Button cover
20	2945 DG	Swivel neck slide
21	2951 DG	Socket cover, TS-neck
22	01027 ER	Screw F3,9x9,5 DIN 7981
23	2954	Swivel neck bearing
24	2311	Swivel neck support right cpl.
25	2312	Swivel neck support left cpl.
26	0880	Wiring swivel neck switch
27	2928	Axle
28	01021 ER	Screw F3,9x13 DIN 968
29	2975 ER	Brush motor 230/240 V, 175 W
30	05141 S	Pair of carbon brushes
31	01020 ER	Screw F3,9x21 DIN 968
32	2958 ER	Lever
33	05114	Switch, 2-polig
34	0881	Wire
35	2985 ER	Printed circuit board ET1-175 W
36	2326 dr	Power head cover ET-1
37	0176 ER	Screw AM 4x30 DIN 7985
38	5402	Wire tie
39	2319	Motor pulley
40	6270 dg	Telescoping tube
41	6420 dg	Release button, cpl.
42	6421 dg	Slide button, cpl.
43	6359 DG	Mains cable ET- C2.1
44	2483 dg	Cable clip