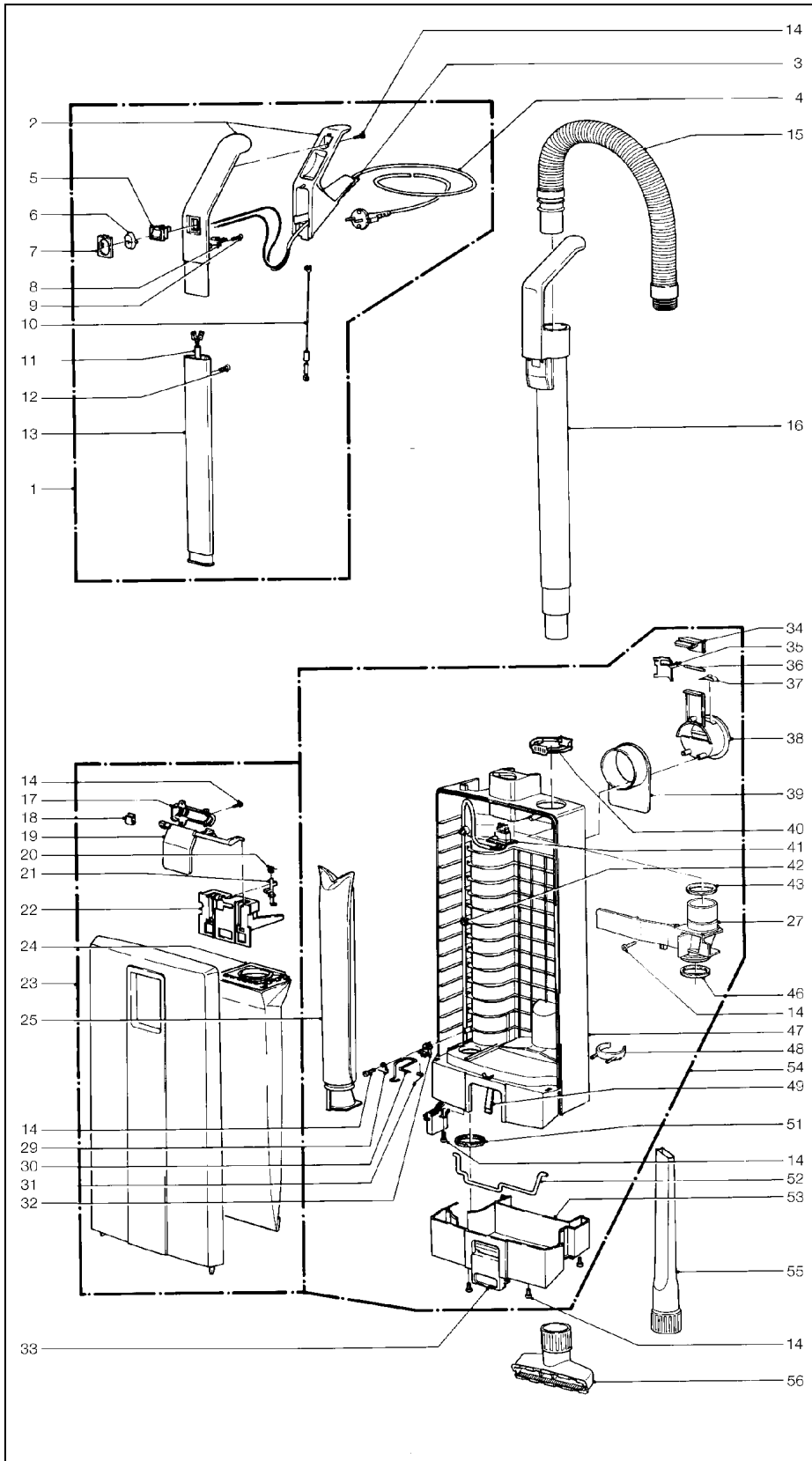


SEBO AUTOMATIC X1

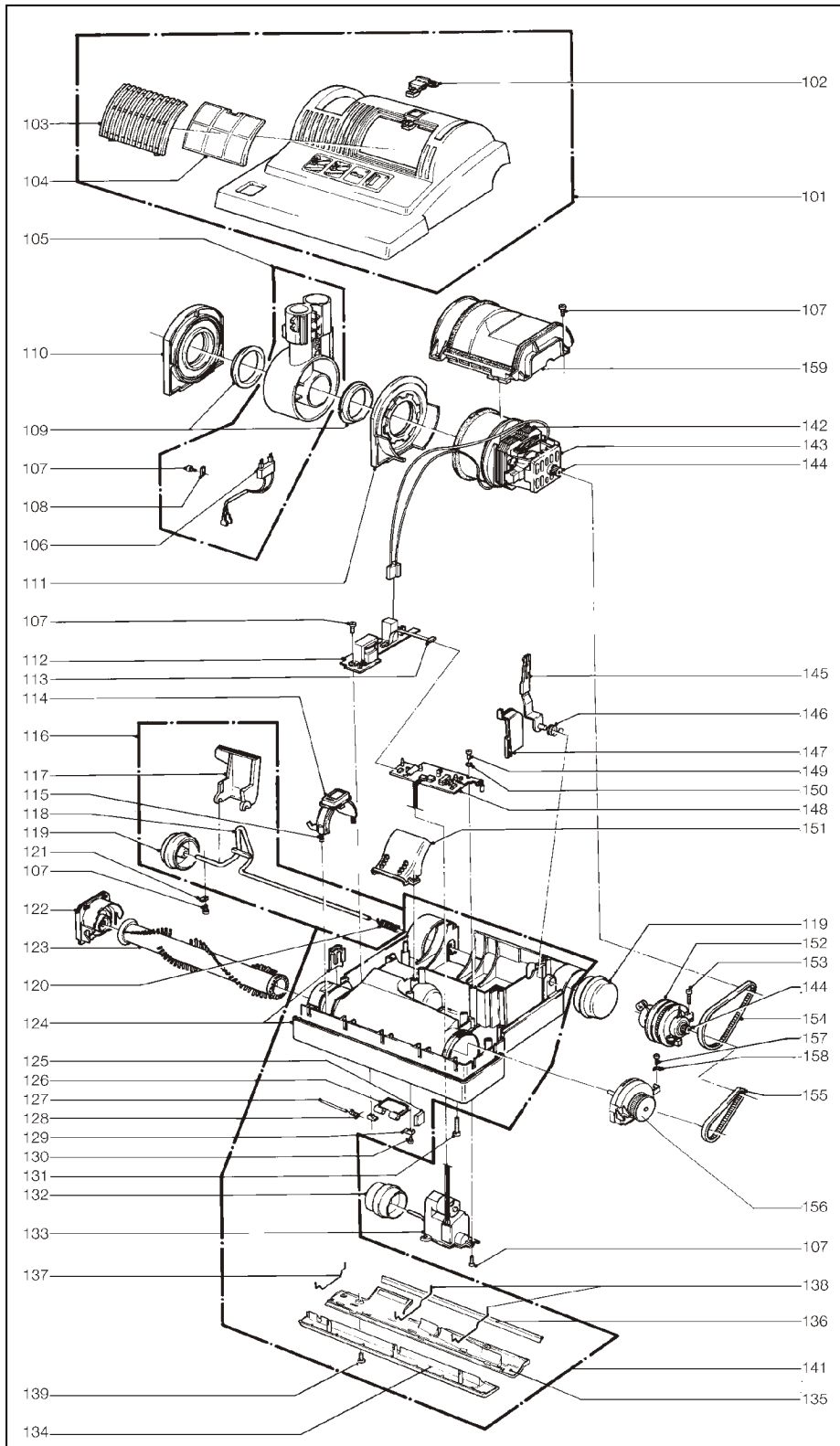
230V White



Pos.	Product Code	Description
1	5620 dg	Handle, cpl. with cable
2	5297 ES	Handle grip (incl. Pos. 7 + 10)
3	5359 DE	Grommet
4	5460 dg	Cable with outline plug
5	05113 ER	Switch
6	5160 hg	Switch cap
7	5161 dg	Switch cap holder
8	5162	Cable clamp
9	0103 ER	Screw C 3,9 x 16 DIN7981
10	5253	Wire-Antistatic
11	5216 ER	Handle cable
12	0129 ER	Screw M4 x 12
13	5187	Handle tube
14	0102 ER	Screw F 3,9 x 13 DIN7981
15	5040 dg	Hose, cpl.
16	5045 dg	Extension tube
17	5307	Cover
18	5319	Bag holder spring
19	5306 dg	Cover release
20	5091	Safety catch spring
21	5360	Safety catch
22	5324	Bag holder cpl. (incl. Pos. 20 + 21)
23	5185 gw	Front cover cpl. (white)
24	5093ER	Dust bag pack
25	5036 ER	Micro hygiene filter
27	5380 DG	Internal cover, cpl. (incl. Pos. 43 + 46)
29	1073	Clamp
30	5208	Filter safety catch
31	5210	Return spring
32	5164	Cable clamp
33	5082 dg	Dust bag housing locking
34	5098 dg	Lock catch
35	5099	Handle lock plate
36	0187 ER	Lock pin 4x33,5
37	5146	Stop spring
38	5145 gw	Carrying handle
39	5144 gw	Cable hook
40	5424 dg	Retaining ring
41	5217 ER	Internal cable
42	5266	Cable clamp
43	5842	Seal
46	5289	Seal
47	5279 gw	Dust bag housing
48	1823 dg	Attachment clip
49	5084	Spring for locking rod
51	5163	Seal
52	5083	Locking rod
53	5085 dg	Dust bag housing bumper
54	5184 gw	Dust bag housing cpl.
55	1092 dg	Crevice nozzle
56	1491 dg	Upholstery nozzle

SEBO AUTOMATIC X1

230V White



Pos.	Product Code	Description
101	5183 gw	Power head cover X1
102	5008 db	Exhaust filter catch
103	5007 gw	Exhaust filter cover/rabs
104	5143	Exhaust filter
105	5175 hg	Swivel neck assembly (incl. Pos. 106)
106	5176	Male contact holder
107	0102 ER	Screw F 3,9 x 13 DIN7981
108	2494	Cable clamp
109	5101	Swivel neck bearingr.h.
110	5178	Swivel neck support r.h.
111	5177	Swivel neck support l.h.
112	5193 ER	PCB 12V power supply
113	5205	Ribbon cable
114	5102 gw	Brush roller release
115	5103	Spring
116	5051 dg	Axle, assembly
117	5059 or	Foot pedal
118	5053	Axle
119	5819 dg	Wheel
120	2010	Axle spring
121	2014 ER	Axle clamp
122	5031 gw	Bearing block right hand
123	5010 ER	Brush roller X1
124	5005 dg	Bumper
125	5155 dg	Rubbing plate
126	5172 OR	Access door (incl. Pos. 127 + 128)
127	5303	Access door axle
128	5304	Access door spring
129	5154 dg	Hinge
130	0100 ER	Screw 2,9 x 9,5 DIN7981
131	0176 ER	Screw M 4 x 30 DIN7985
132	5174 dg	Pile adjustment wheel
133	5060 ER	Servo motor with gear box
134	5411 dg	Front bottom plate X1, cpl.
135	5412 dg	Rear bottom plate X1, cpl. (incl. Pos. 136+139)
136	5400-1	Sealing strip
137	5401	Wire tie
138	5402	Wire tie
139	0197 ER	Screw M4x12 Z 1
141	5320 dg	Chassis X1, cpl.
142	5192	Vacuum motor 850W/230V
143	0511/1	Carbon brush set/vac motor
144	5100	Rubber mounting
145	5117	Motor pulley
146	5129	Support lever
147	5107-1	Support spring
148	5112 sw	Motor pulley cover
149	5740 ER	Computer controller 230V
150	0107 ER	Screw C 2,9 x 13
151	0143 ER	Washer 3,2 DIN125
152	5173 sw	Cover for air channel
153	5382	Sensor X1
154	0104 ER	Screw 3,9 x 25 DIN7981
155	5379	Belt 312 3M-HTDII-6
156	5110	Belt 219 3M HTDII-6
157	5766 hg	Bearing block l.h., cpl.
158	0103 ER	Screw 3,9 x 16 DIN7981
159	0141 ER	Locking washer
159	5018UL	Motor cover

06287D - 08.2007

This information intended only for Europe (230 V/240 V) and does not apply to North America!